

- **Share your Internet connection**
- **Works with DSL/Cable Modems**



## WIRELESS G ROUTER

### TOTAL COMPATIBILITY

Works with any Wi-Fi certified device, giving you peace of mind and performance

### TOTAL SECURITY

Complete set of security features including an SPI firewall and WPA2 to protect your network against outside intruders

### EASY CONFIGURATION

Quick Router Setup Wizard and Wi-Fi Protected Setup™ (WPS) for automatic configuration and easy addition of new devices



### BASIC WIRELESS NETWORKING

Create a wireless network for your home using the D-Link Wireless G Router. Connect the Wireless G Router to a broadband modem and wirelessly share your high-speed Internet connection and enjoy surfing the web, checking e-mail, and chatting with family and friends online.

### BASIC SECURITY PROTECTION

The D-Link Wireless G Router includes a built-in firewall that safeguards your network from harmful attacks. It minimizes the threats of hackers and prevents unwanted intruders from entering your network. Additional security features like MAC address filtering prevent unauthorized network access, and parental control prevents users from viewing inappropriate content. The Wireless G Router also supports WEP, WPA, and WPA2 encryption to keep your network traffic secure.

### COMPATIBILITY ASSURANCE

The D-Link Wireless G Router is based on the 802.11g standard and is backward compatible with 802.11b, ensuring compatibility with a wide range of wireless devices. The Wireless G Router includes four Ethernet ports ready for you to connect Ethernet-enabled PC, print server and other devices.

### EASY TO INSTALL AND USE

With D-Link Quick Router Setup Wizard, you can set up your wireless network in minutes. The wizard will guide you through an easy to follow process to install your new hardware, connect to your network and add new devices. It configures your Internet Service Provider (ISP) settings to quickly establish broadband Internet connectivity. In addition, the DIR-300 is Wi-Fi Protected Setup™ (WPS) certified, making it even easier to configure your wireless network and enable security.

#### WHAT THIS PRODUCT DOES

Share your broadband Internet connection with multiple computers in your house by simply connecting the D-Link Wireless G Router to your cable or DSL modem. Once connected, you can create your own personal wireless home network to share documents, music, and photos.

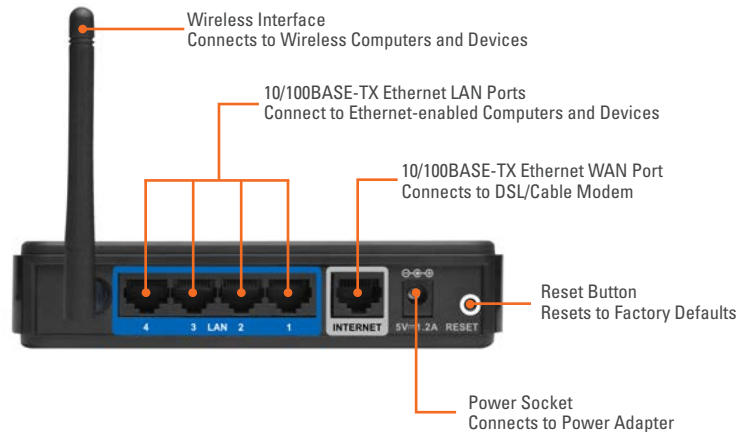
#### EASY INSTALLATION

Set up your new D-Link networking hardware in minutes using our new Quick Setup Wizard. The wizard will guide you through an easy to follow process to install your new hardware and connect to your network.

#### ADVANCED WIRELESS FUNCTIONS

The D-Link Wireless G Router includes everything you need to get a wireless network up and running:

- IEEE 802.11b/g Compatible
- Advanced Scheduling and User Level Control
- WPA (TKIP) and WPA2 (AES) Support
- UPnP™ Support
- WPS™



#### TECHNICAL SPECIFICATIONS

##### SYSTEM REQUIREMENTS

- Cable or DSL modem with Ethernet port
- Computer with:
  - Windows XP SP2 or Windows 2000 SP4 or Mac OS X (v10.4/v10.3) or Linux-based Operating System
  - An installed Ethernet adapter
  - Internet Explorer 6 or Firefox 2.0 or higher

##### STANDARDS

- IEEE 802.11b
- IEEE 802.11g
- IEEE 802.3
- IEEE 802.3u

##### WIRELESS FREQUENCY RANGE

- 2.4GHz to 2.4835GHz

##### ANTENNA

- Detachable Dipole Antenna (Reverse SMA Plug)

##### SECURITY

- WEP 64/128-Bit Data Encryption
- Wi-Fi Protected Access (WPA/WPA2)

##### ADVANCED FIREWALL FEATURES

- Network Address Translation (NAT)
- Stateful Packet Inspection (SPI)
- MAC Address Filtering
- URL Filtering

##### DEVICE MANAGEMENT

- Internet Explorer 6 or later, or Firefox 2.0 or later

##### DIAGNOSTIC LED

- Power
- Internet
- WLAN
- LAN

##### POWER INPUT

- 5VDC/1.2A, Through External Power Adapter

##### DIMENSIONS (L x W x H)

- 113.2 x 147.5 x 31.5 mm (4.4 x 5.8 x 1.2 inches)

##### WEIGHT

- 246 grams (0.5 lb)

##### OPERATING TEMPERATURE

- 0° to 40° C (32° to 104° F)

##### OPERATING HUMIDITY

- 5% - 95% non-condensing

##### CERTIFICATIONS

- CE
- FCC
- C-Tick

<sup>1</sup>Actual data throughput will vary. Network conditions and environmental factors, including volume of network traffic, building materials and construction, and network overhead lower actual data throughput rate and adversely affect the range.

<sup>2</sup>Product specifications, size and shape are subject to change without notice, and actual product appearance may differ from that depicted on the packaging.



D-Link Corporation  
No. 289 Xinhui 3rd Road, Neihu, Taipei 114, Taiwan  
Specifications are subject to change without notice.  
D-Link is a registered trademark of D-Link Corporation and its overseas subsidiaries.  
All other trademarks belong to their respective owners.  
©2009 D-Link Corporation. All rights reserved.  
Release 01 (April 2009)